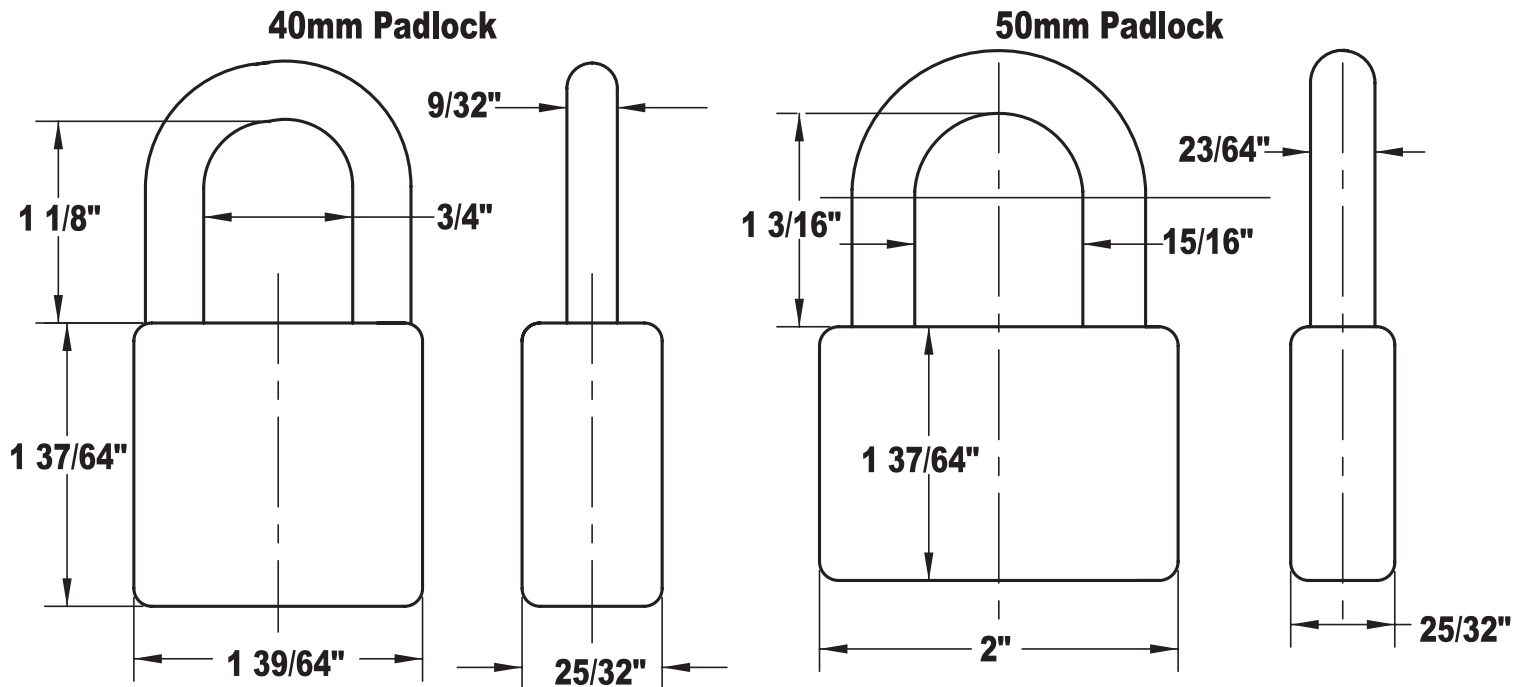


RC-4841 40MM / RC-4842 50MM PADLOCK



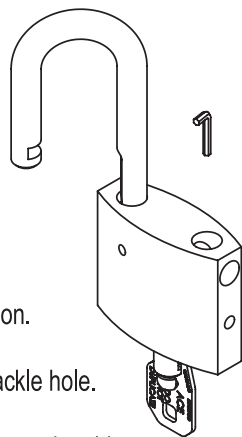
How to remove/reinstall cylinder and shackle (Tools needed: 5/64" and 3/32" wrenches)

How to remove cylinder

1. unlock padlock. leave key in open position.
2. move shackle away from the case.
3. insert the 3/32" hex wrench into the shackle hole. remove set screw (m5 x .8).
4. insert the 5/64" hex wrench into the hole on the side of the case. remove cylinder retaining screw (m4 x .7).
5. hold key and gently pull cylinder out of case. (save the loose stop washer for reassembly).

How to reinstall cylinder

1. attach stop washer to the end of the lock cylinder.
2. slide cylinder all the way down into padlock case.
3. insert cylinder retaining screw (m4 x .7). into side of case tighten firmly with 5/64" hex wrench.
4. insert set screw (m5x.8) into shackle hole. tighten firmly with 3/32" hex wrench.



How to remove shackle

1. unlock padlock and remove key.
2. move shackle away from the case.
3. insert the 5/64" hex wrench into the hole in the front of the case. remove set screw (m4 x .7) and the shackle retaining pin.
4. remove the shackle from the padlock. (save the loose shackle spring for reassembly).

How to reinstall shackle

1. be sure that shackle spring is in the shackle hole.
2. insert new shackle and lock the padlock.
3. insert retaining pin and set screw (m4 x .7) into the hole on front of the case. tighten firmly with 5/64" hex wrench.

