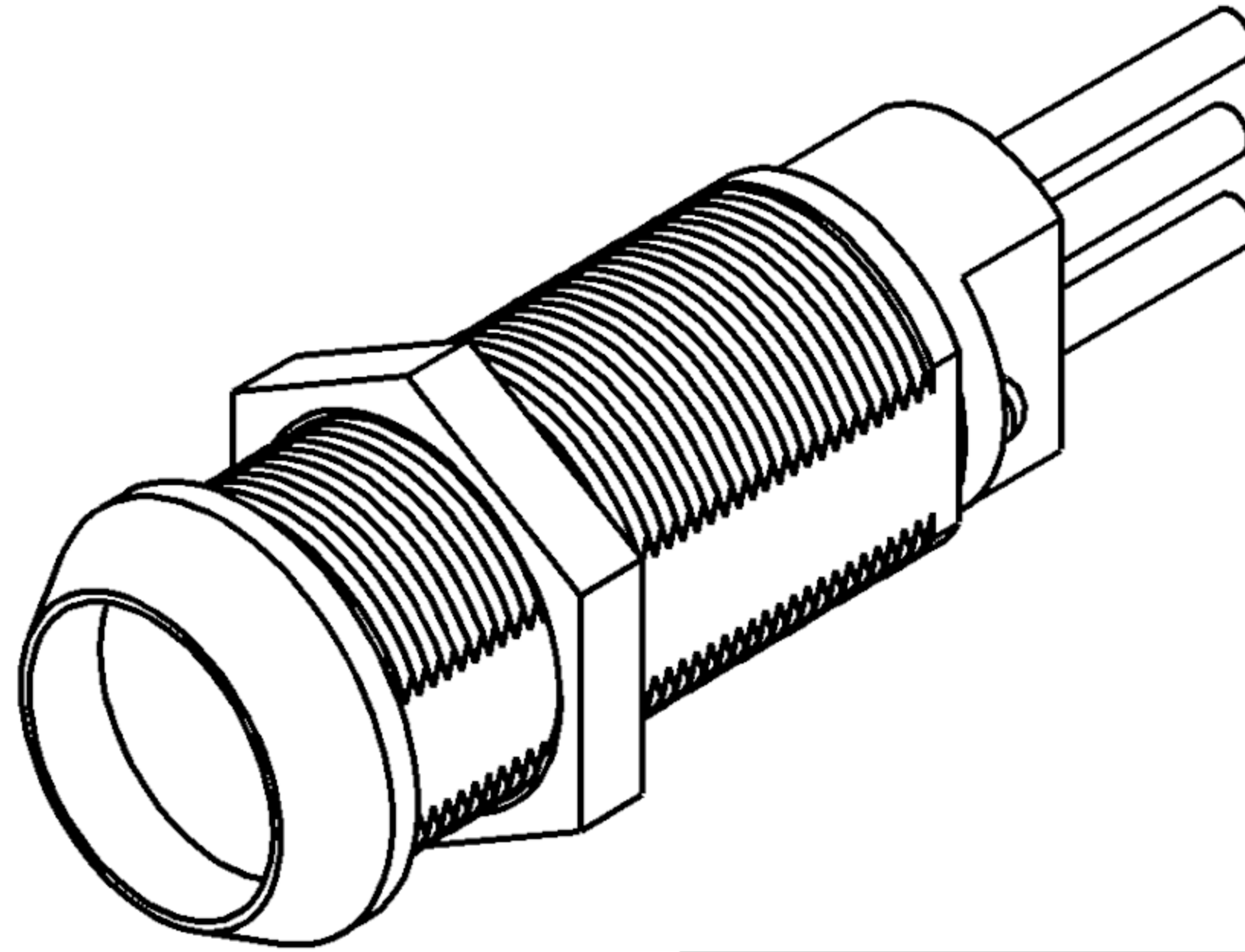
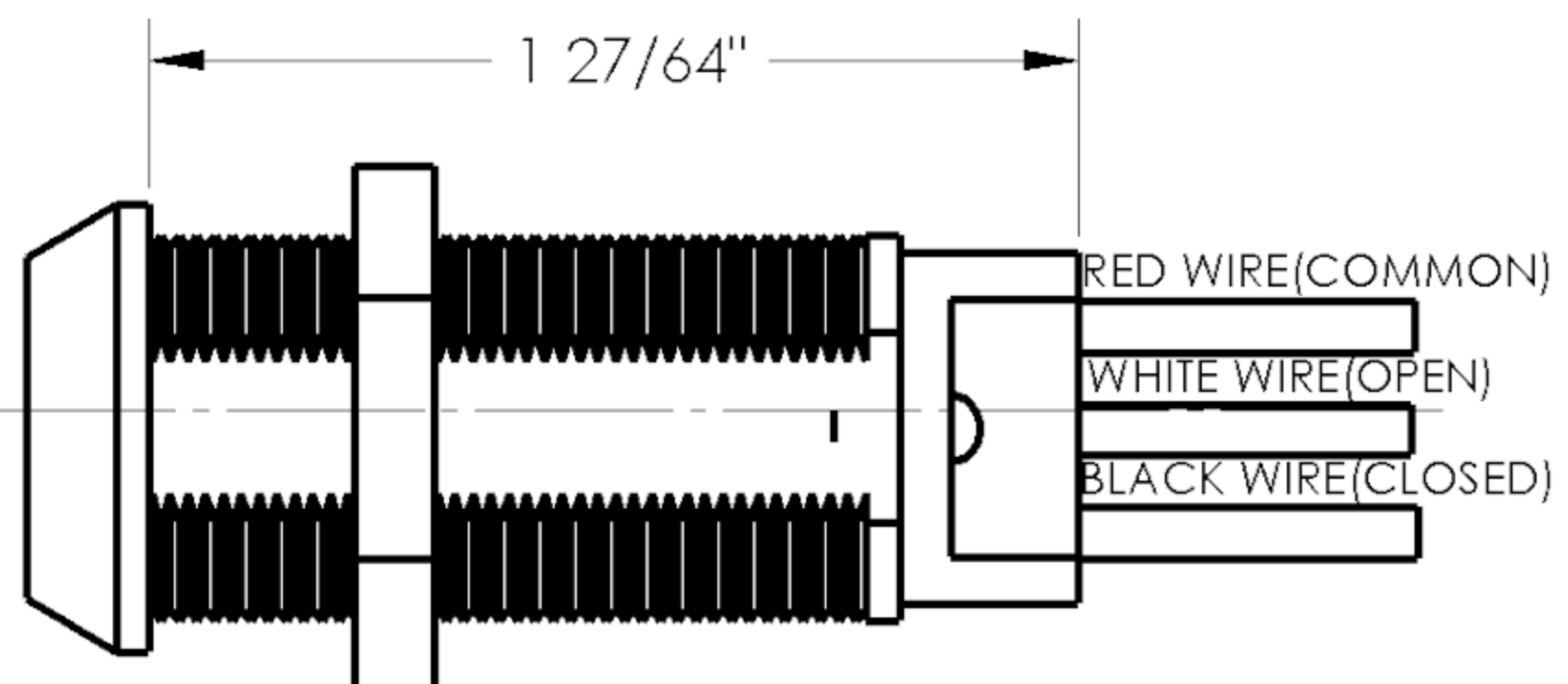
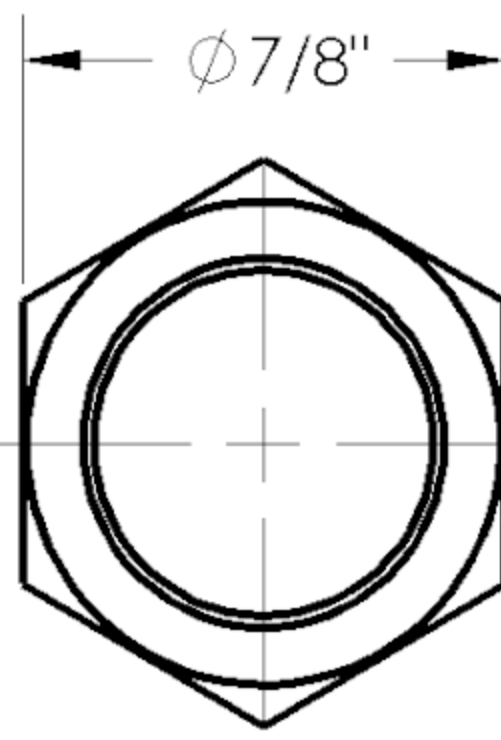


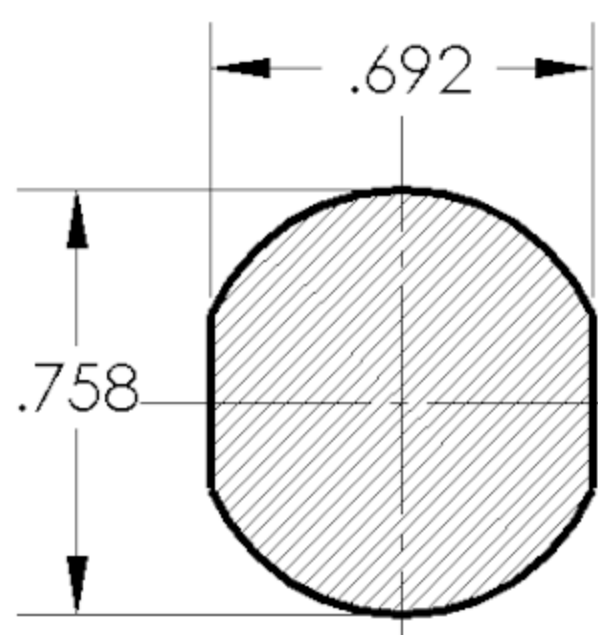
## C3535-BDC-KD SWITCH LOCK



LOCK NO.	KEYPULL	ROTATION
C3535-BDC	1 POSITION	165°



### RECOMMENDED MOUNTING HOLE



**.7 AMPS RESISTIVE/4 AMPS INDUCTIVE@ 115 VAC OR 28 VDC.**

**-RELIABLE SNAP ACTION SWITCH PROVIDES MANY THOUSANDS OF ELECTRICAL CONTACTS WITHOUT FAILURE.**

**-TERMINALS DESIGNED TO ACCEPT "AMP" .058 PIN RECEPTACLES.**

**-STANDARD FINISH-BRIGHT CHROME.**

**- FURNISHED WITH 10 INCH, 20 GAGE STRANDED WIRE.**

**-TWO KEYS FURNISHED LOCK.**