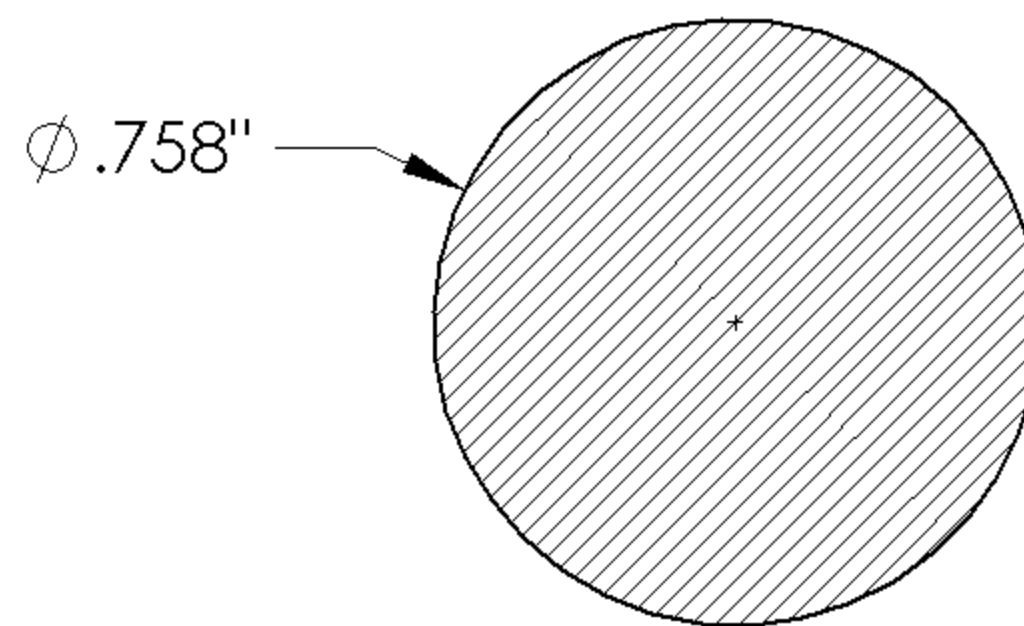
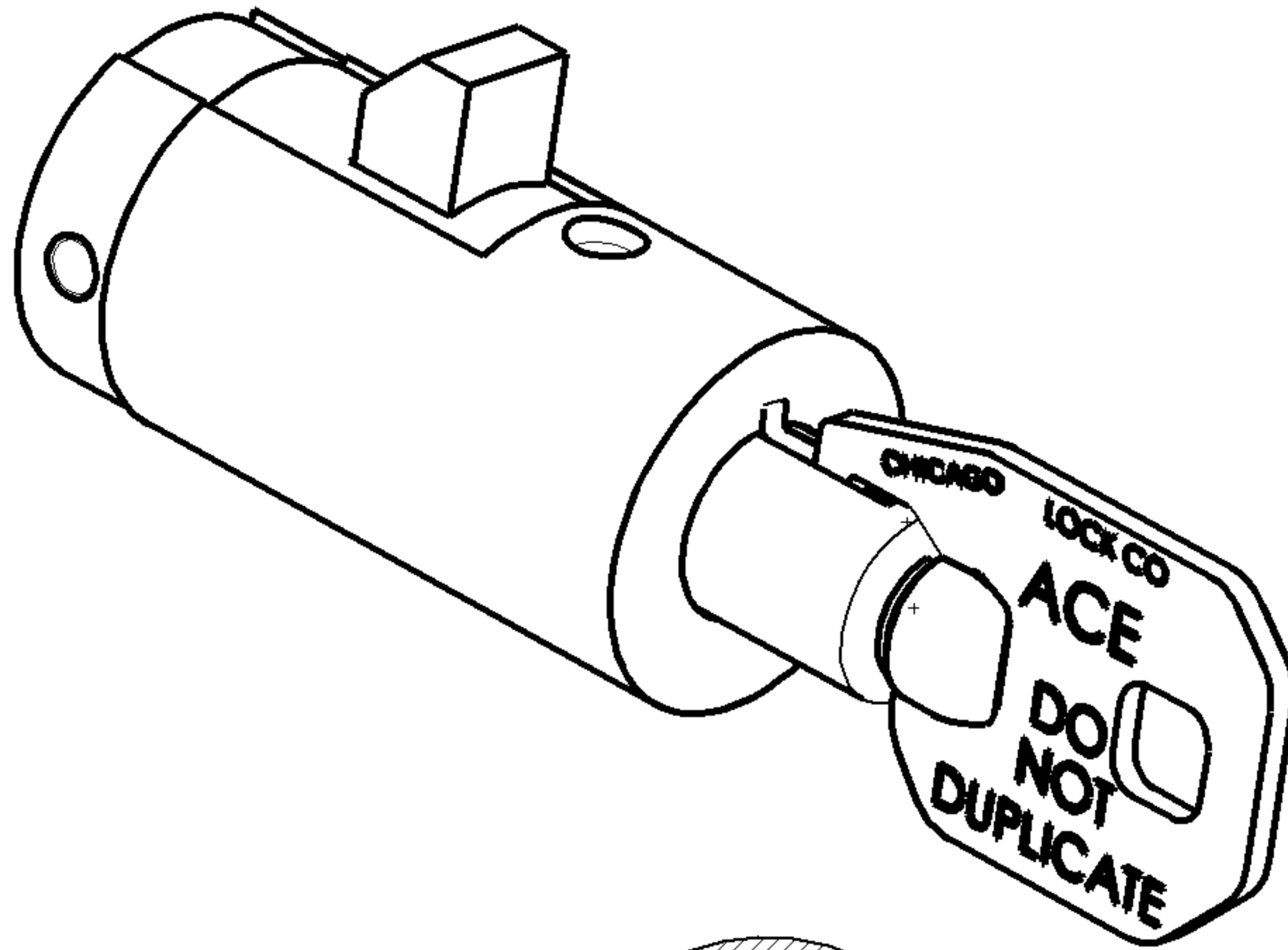


4255-19RL ACE II HANDLE CYLINDER



RECOMMENDED MOUNTING HOLE

