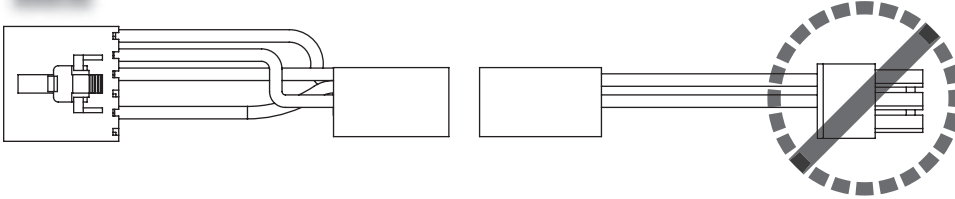


Connecting an electric door strike to a **CompX eLock**®

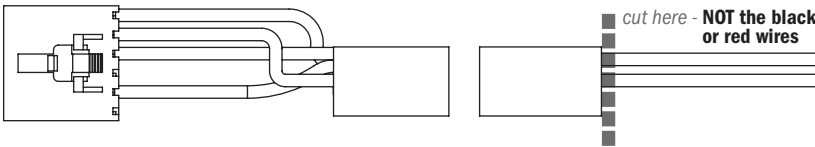
CompX eLock

Use this sheet to connect an electric door strike to a CompX eLock. A 24" cable comes with the eLock. Begin with the end of the cable that goes into the latch.

Step 1: Cut off the connector that usually goes into the latch



Step 2: Cut off white and green wires – NOT black and red



Step 3: Strip .25" of the black and red wires

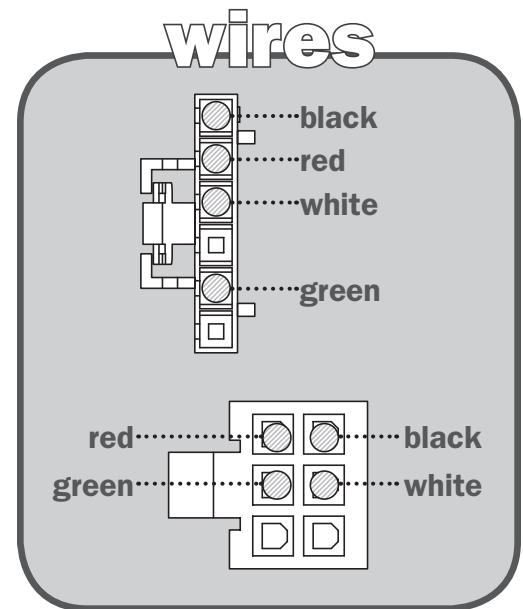


Diagram above shows back view of connectors.

Step 4: Connect door strike

If your strike has leads:

- Strip leads on strike.
- Connect one wire from the harness to any wire of the strike. Connect the other wire of the harness to the remaining wire of the strike.
- Apply wire nuts.

If your strike has screw terminals:

- Attach ring or fork terminals (that correspond in size to the terminals on the strike) to the cable.
- Attach ring terminals to strike.

If your strike has a terminal block:

- Put wires in terminal block and tighten.

For more information,
contact CompX Security Products
864 297 6655

864.297.6655

compX.com
elock@compX.com

PO Box 200
Mauldin, SC 29662